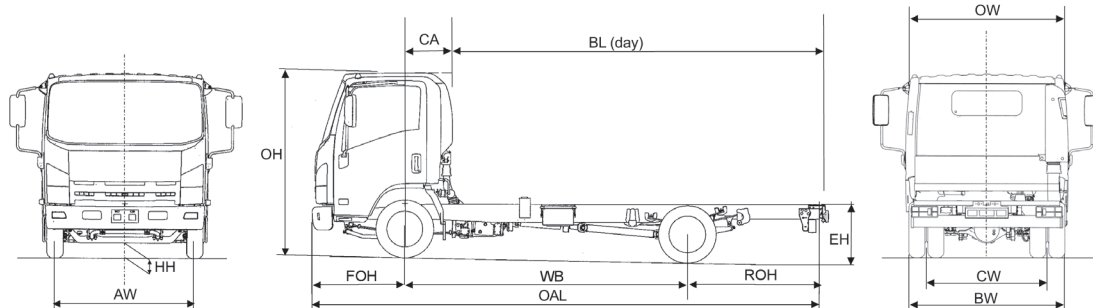


ISUZU 'GRAFTER' N35.150(TE)

3.5T GVW

(Easyshift transmission) 4x2 rigid twin rear wheels

EURO VI



UK Standard vehicle plated weights (kg)

GVW	3500
GTW	7000

UK Axle design weights (kg)

Front	2100
Rear	2435

Weights (kg)

Cab type		day
Wheelbase	WB	3350*
Vehicle Mass Unladen	Front	1505
	Rear	640
Total		2145
GVW		3500
Max. Permissible Trailer Weight		3500
Body & Payload Allowance		1355

Dimensions (mm)

Overall Length	OAL	6025
Overhang - Front	FOH	1110
Overhang - Rear	ROH	1565
Cab Gap	CB	130
C/L Front Axle to Rear of Cab	CA	463
Recommended Body Length	BL	4267
Chassis Frame Width		700
Recommended Body Width		1982
Recommended Maximum Body Width		2160
Cab Width	OW	1770
Overall Height (Unladen)	OH	2160
Chassis Height (Unladen)	EH	725
Minimum Road Clearance	HH	190
Track - Front	AW	1475
Track - Rear	CW	1425
Rear Axle Width	BW	1855

1. Unladen weights include driver 75kg, 90% fuel. (Tolerance $\pm 3\%$).
2. Body lengths are given as a guide only. Bodybuilders are responsible for ensuring all legal requirements are met.
3. Maximum body lengths are calculated to remain within the maximum permitted overhang in the UK of 60% of the wheelbase. Cab gaps may vary.
4. Isuzu Truck (UK) Ltd. shall have no liability whatsoever should the information supplied have incorrect data, descriptions or illustrations.

ISUZU 'GRAFTER' N35.150(TE)

3.5T GVW

(Easyshift transmission) 4x2 rigid twin rear wheels

EURO VI



Mechanical Specification (standard equipment)

Engine 4JJ1TC

Isuzu turbo intercooled DOHC 4 cylinder diesel (Euro VI)

Bore: 95.4mm

Stroke: 104.9mm

Capacity: 2999cc

Max Power: 110kW

(150 PS) at 2800rpm

Max Torque: 375Nm

between 1600-2800rpm

Injection Type: Common rail

Euro VI Compliance:

EGR (Exhaust Gas Recirculation) with DPD (Diesel Particulate Diffuser), SCR Adblue and OBD

Fuel Tank

Capacity: 90 litres

Transmission

5-speed MYY5T with fully automated and sequential shift modes

Ratios:	1st	5.315:1
	2nd	5.315:1
	3rd	1.655:1
	4th	1.000:1
	5th	0.721:1
	reverse	5.068:1

Rear Axle Ratio: 3.909:1

Tyres: 205/75 R16C radial

Wheels: 5.50J x 16, 5-stud

Cab Exterior

Aerodynamic Isuzu Hexapod design white all-steel
Manual tilt to 45 deg
Laminated windscreen
Plastic resin non-slip entry steps
90 deg. opening doors
Zinc galvanised frame structure
2 flush mounted halogen headlamps with side mounted indicators
Front tyre mudguards with spray suppression
Steel reinforced composite front bumper with fog and daytime running lamps
Chrome radiator grille
Keyless door entry and immobiliser
Steel rear bumper

Frame

Ladder type channel section straight side rails, riveted upper flanges

Cooling

Radiator: Tube and fin type with fan and viscous clutch
Frame mounted fuel cooler

Clutch

Fluid hydrokinetic coupling with lock-up clutch

Cab Interior

Flame resistant interior trim

Vinyl floor matting
Pillar mounted entrance grab handles both sides
SRS airbags driver and passenger

Seats (all cloth)

Driver's fully adjustable seat with head restraint
Dual passenger seat with folding back
Driver and outer passenger retractable diagonal seat belts, with pre-tensioner
Centre seat lap belt

Vision

Large foldable door mirrors
Interior rear view mirror on collapsible mounting
Driver and passenger sun visors
Deep cut side windows to reduce blind spots
Electric windows with driver control

Heating & Ventilation

4-speed blower
Multiple cab vents

Axles

Front: Reverse Elliott I-Beam
Rear: Banjo fully floating

Suspension

Front: Semi elliptical alloy steel leaf springs with hydraulic shock absorbers

Rear: Semi elliptical alloy steel leaf springs with hydraulic double acting telescopic shock absorbers and anti roll bar

Steering

Recirculating ball type with full integral hydraulic power assistance
Tilt and telescopic steering column

Brakes

System: ABS divided hydraulic, vacuum servo assisted with ASR + EVSC
Front: 293mm ventilated discs with asbestos-free pads
Rear: 275mm ventilated discs with asbestos-free pads
Park: Mechanical drum brake rear of transmission

Instruments

Speedometer with odometer and trip
Rev counter
Fuel gauge
Engine coolant temperature
Gearshift indicator display
Multi information display provides data on servicing, emissions and fuel economy

Switches & Electrical

Steering column mounted combination switch for indicators, headlamps (high beam), side and rear fog lights
Wiper and washer (2-speed and intermittent)
Steering wheel horn
Engine idle control
Hazard lights
Headlamp levelling
Interior light
Key operation for quick cold start, start and stop
Engine quick warm-up
Cigarette lighter
Central locking
Reverse warning
DPD operation
Front fog lights
EVSC off

ASR off
Exhaust brake
Heater stage
Easyshift gearbox emergency override
Gearbox engage drive fast/slow

Warning/Indicator Lamps

Battery charge
Oil pressure
Low fuel
Glow plug operation
High beam and indicators
Parking brake on
Fuel/water separator
Check engine
DPD operation
Engine over heat
Adblue level
EVSC
ABS
SRS/airbag
Front and rear fog
SVS
ECONO mode
1st gear start
Exhaust brake operation
Seat belt
Brake system
Brake vacuum loss

Tool Kit

Jack, with a small selection of hand tools

Radio

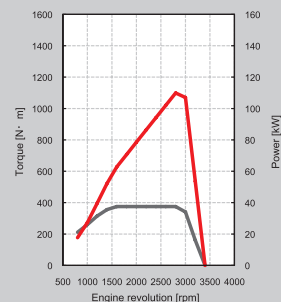
Radio / CD Player package

Storage Space

Compartment box
Centre console tray
Door pockets
Centre facia pocket
Pop out type cup holder
Overhead roof shelves
Drivers seat back pocket
Card holder

Ancillaries

Starter: Reduction type 24 V - 4.0kW
Alternator: 24 V - 50 Amp
Quick Start: 4 glow plugs on start relay
Battery: 2 x 12 V - 75 AH (maintenance free)



The following optional items are available:

- Isuzu Branded Mats
- Satellite Navigation
- Reversing Aids
- Digital Tachograph
- Road Speed Limiter
- PTO Switch
- Telematics
- Aerodynamic Body Kits

For further information please contact your local dealer, ring us directly on

01707 28 29 30

or visit our website

www.isuzutruck.co.uk

Isuzu Truck (UK) Ltd,
Isuzu House, 164 Great North Road, Hatfield, Hertfordshire AL9 5JN

ISUZU